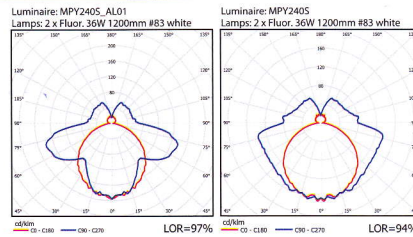
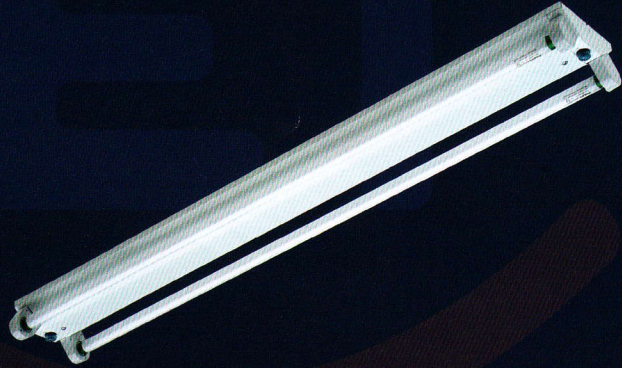




# MPY-T8

Pyramid Fitting with  
Matal Reflector or  
Aluminium Reflector

โคมอกไก่ ฝาเหล็กพ่นสีขาว หรือ  
แบบฝาครอบแผ่นอลูมิเนียมสะท้อนแสง



TIS.902-2532



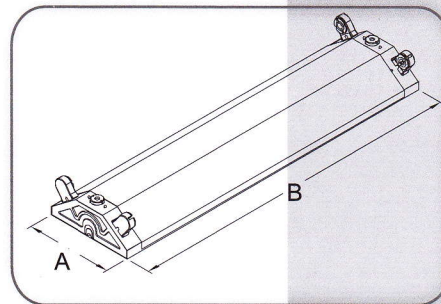
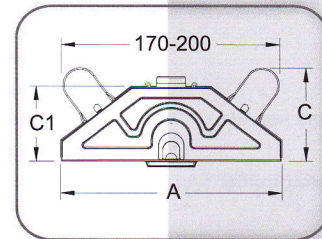
TIS.1955-2551

## SPECIFICATION



- Housing :** Steel sheet thickness of 0.6-0.8 mm. And all metal parts are rust-proofed after fabrication to prevent any corrosion (zinc phosphate) and finished with high-grade epoxy polyester power coating.
- Cover :** Double side aluminium reflector 99.90% purity anodized aluminium reflector to provide total reflectance of TR 87-95% mirror-finish, parabolic reflectors machined to provide optimum optical performance for maximum high-output-ratio. Or Double side steel reflector with high-grade epoxy polyester power coating.
- Lamp holder :** Rotary lock (G13) lamp holder certified by TIS NO.344-2549.
- Starter holder :** Rotary lock certified by TIS NO.344-2549.
- Wire :** Thw size 0.5-1.0 sqmm. 70 °c-105 °c certified by TIS NO.11-2531.

## DRAWING



## DIMENSION

Model No.	No. of Lamps	A (mm.)	B (mm.)	C (mm.)	C1 (mm.)	Hanging hold (mm.)
MPY220	2 x 18w T8	162	620	71	53	484
MPY240	2 x 36w T8	162	1230	71	53	484
MPY220-AL	2 x 18w T8	162	620	71	53	484
MPY240-AL	2 x 36w T8	162	1230	71	53	484
MPY220S	2 x 18w T8	162	640	88	53	484
MPY240S	2 x 36w T8	162	1250	88	53	484
MPY220S-AL	2 x 18w T8	162	640	88	53	484
MPY240S-AL	2 x 36w T8	162	1250	88	53	484

Note: subject to +/- 2 mm in tolerance