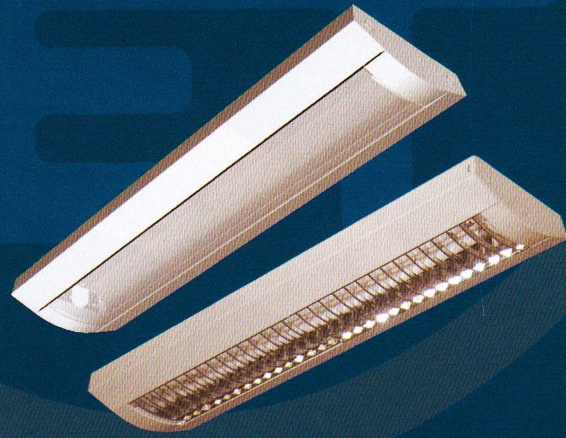


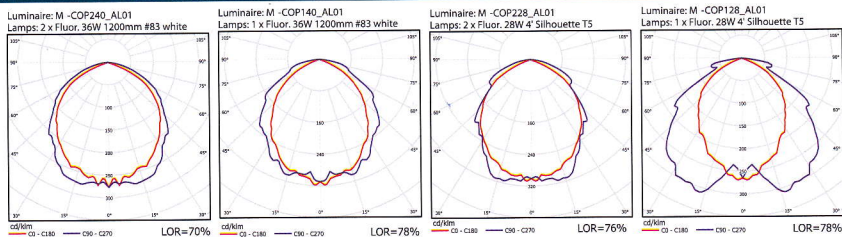


COMPACT

Surface modura Fitting



โคมติดลอย Slim Type



TIS.902-2532

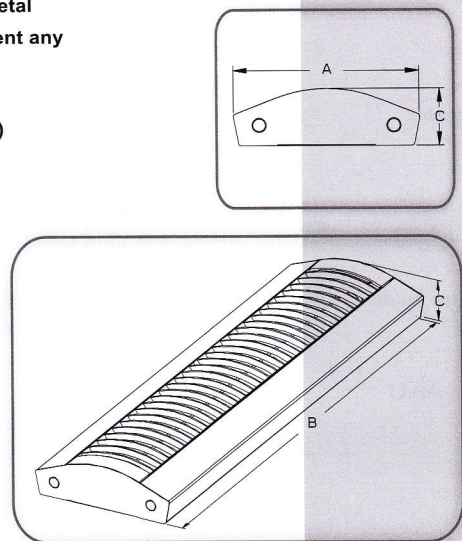


TIS.1955-2551

SPECIFICATION

- Housing :** Steel sheet thickness of 0.6-0.8 mm. And all metal parts are rust-proofed after fabrication to prevent any corrosion (zinc phosphate) and finished with high-grade epoxy polyester power coating
- Diffuser :** Is made optic luminance control (Nylon 66 mat)
Option diffuser cover Prismatic = PM (**)
- Lamp holder :** Rotary lock (G13) lamp holder certified by TIS NO.344-2549.
- Starter holder :** Rotary lock certified by TIS NO.344-2549.
- Wire :** Thw size 0.5-1.0 sqmm.70 °c-105 °c certified by TIS NO.11-2531.

DRAWING



DIMENSION

Model No.	No. of Lamps	A (mm.)	B (mm.)	C (mm.)
M-COP114**	1 x 14w T5	198	675	60
M-COP214**	2 x 14w T5	198	675	60
M-COP128**	1 x 28,54w T5	198	1285	60
M-COP228**	2 x 28,54w T5	198	1285	60
M-COP120**	1 x 18w T8	198	675	60
M-COP220**	2 x 18w T8	198	675	60
M-COP140**	1 x 36w T8	198	1285	60
M-COP240**	2 x 36w T8	198	1285	60

Note: subject to +/- 2 mm in tolerance