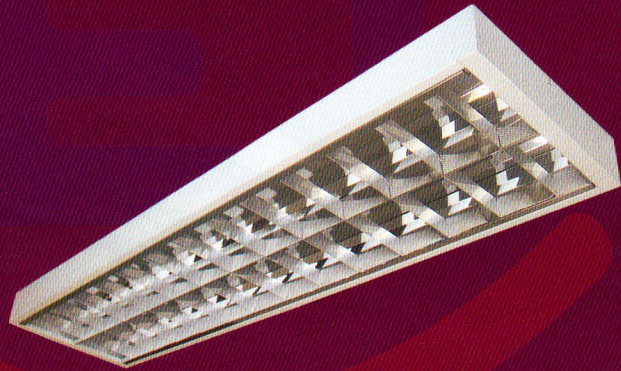


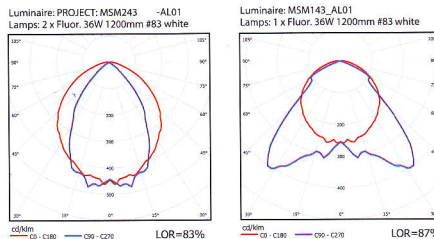


MSM-T8

Surface Square Fitting with Aluminium Reflector



โคมติดลอยตะแครงที่อลูมิเนียมสะท้อนแสง



TIS.902-2532



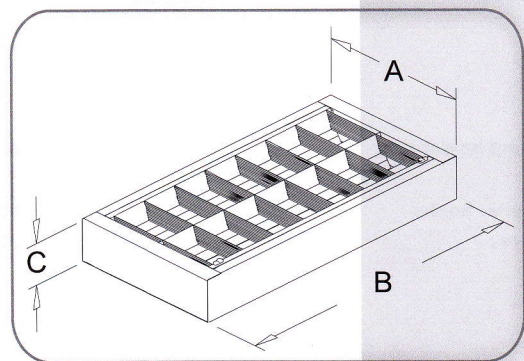
TIS.1955-2551

SPECIFICATION



- Housing :** Steel sheet thickness of 0.6-0.8 mm. And all metal parts are rust-proofed after fabrication to prevent any corrosion (zinc phosphate) and finished with high-grade epoxy polyester power coating.
- Reflector :** 99.90% purity anodized aluminium reflector to provide total reflectance of TR 87-95% mirror-finish, parabolic reflectors machined to provide optimum optical performance for maximum high-output-ratio.
- Louver :** 99.90% anodized aluminium reflector to provide total reflectance of upto TR 95% Christmas tree profile cossbars reduce glare significantly.
- Lamp holder :** Rotary lock (G13) lamp holder certified by TIS NO.344-2549.
- Wire :** Thw size 0.5-1.0 sqmm. 70 °c-105 °c certified by TIS NO.11-2531.

DRAWING



DIMENSION

Model No.	No. of Lamps	A (mm.)	B (mm.)	C (mm.)
MSM123	1 x 18w T8	320	630	100
MSM223	2 x 18w T8	320	630	100
MSM143	1 x 36w T8	320	1225	100
MSM243	2 x 36w T8	320	1225	100

Note: subject to +/- 2 mm in tolerance