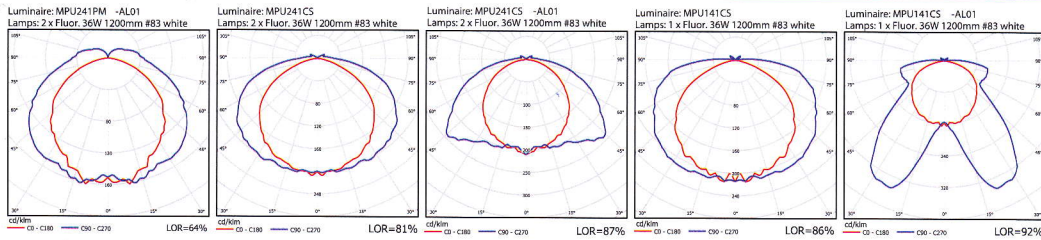




MPU-T8

Channel Fitting with Acrylic Diffuser -Aluminium Reflector (Type 6'')

โคมตัวยูฝาครอบพลาสติก
แบบมีแผ่นสะท้อนแสง



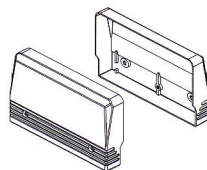
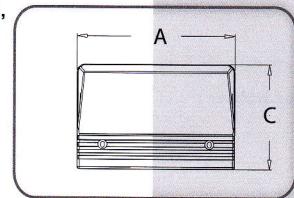
TIS.902-2532



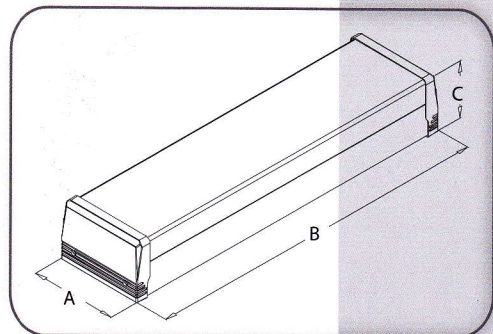
TIS.1955-2551

SPECIFICATION

- Housing :** Steel sheet thickness of 0.6-0.8 mm. And all metal parts are rust-proofed after fabrication to prevent any corrosion (zinc phosphate) and finished with high-grade epoxy polyester power coating
- Reflector :** Single side aluminium reflector 99.90% purity anodized aluminium reflector to provide total reflectance of TR 87-95% mirror-finish, parabolic reflectors machined to provide optimum optical performance for maximum high-output-ratio.
- Diffuser :** Is made of prismatic acrylic with 2.0-3.0 mm. thickness Option diffuser : (**)
Prismatic = PM , Opal = MU , Stipple = ES , Clear = CS
- Lamp holder :** Rotary lock (G13) lamp holder certified by TIS NO.344-2549.
- Starter holder :** Rotary lock certified by TIS NO.344-2549.
- Wire :** Thw size 0.5-1.0 sqmm.70 °c-105 °c certified by TIS NO.11-2531.



Plastic Cover



DIMENSION

Model No.	No. of Lamps	A (mm.)	B (mm.)	C (mm.)
MPU121**_AL	1 x 18w T8	155	580	100
MPU141**_AL	1 x 36w T8	155	1180	100
MPU221**_AL	2 x 18w T8	155	580	100
MPU241**_AL	2 x 36w T8	155	1180	100

Note: subject to +/- 2 mm in tolerance

DRAWING